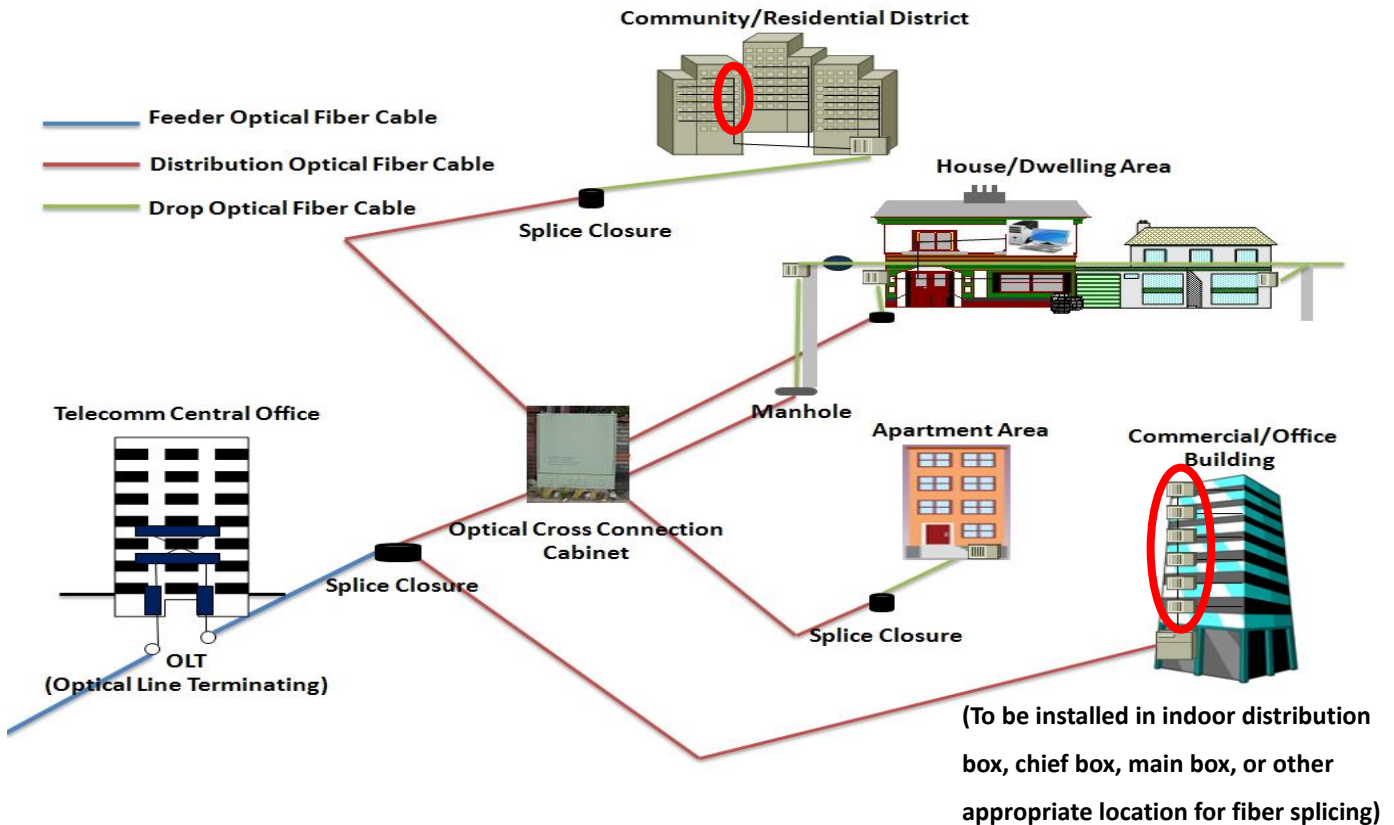




Optical Cable Distribution Box (Model No.: WIM-OCDB)

A. Where to installation



B. Optical Cable Distribution Box (WIM-OCDB)

Features

1. Various types of WIM-OCDB are suitable for the urban area such as old building, community and apartment etc where without Telecomm equipment room. It is mounted to indoor distribution box, chief box, main box or other appropriate place to put in use for fiber splicing in the residence.
2. Match up with the vertical feeder/backbone optical cable of the building to adopt the forming a indoor micro/cluster optical cable, the splitting of each Floor forms a micro/cluster optical cable, each floor in the building is installed by a WIM-OCDB-E/F type optical cable in main box for each floor horizontal optical cable + sectional SC optical connector that worthy of connecting in room.



3. WIM-OCDB-A is available for installing and splicing as accommodating laterally. Reserve dual-end to carry out input and output of the optical cable, it is suitable for the optical cable to guide and drop in the midway. Also reserve the installation section, can install an DSC optic connector.
4. WIM-OCDB-E, and F reserve single-end in order to fulfill optical cable input and output, support the forming a micro/cluster optical cable to guide and drop in the midway. The WIM-OCDB-E type is suitable for installing and using laterally.
5. Use ITU-T G.657.A2 bend insensitive optical fiber to be able to bear the curved. Pre-wiring of optical cable already in the box so installation is simple, convenient and fast.

C. Model category and specification

Model number	Type of connector	Port number	Dimension W x H x D(mm)
WIM-OCDB-A	DSC	2	103×164×20
WIM-OCDB-B	SC	6	183×169×20
WIM-OCDB-E4	DSC	4	36×132×69
WIM-OCDB-E6	SC	6	45×132×69
WIM-OCDB-E8	DSC	8	59×132×69
WIM-OCDB-E12	SC	12	70×132×69
WIM-OCDB-F2	SC	2	100×160×25
WIM-OCDB-F4	SC	4	
WIM-OCDB-F6	SC	6	

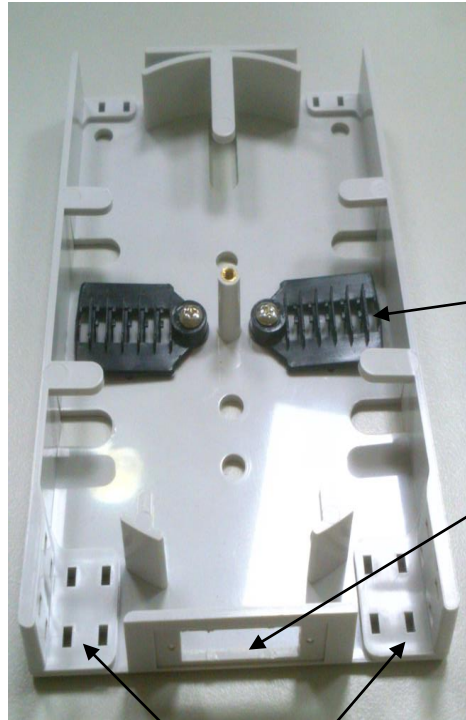


D. Composition

A type of OCDB:



WIM-OCDB-A Cover



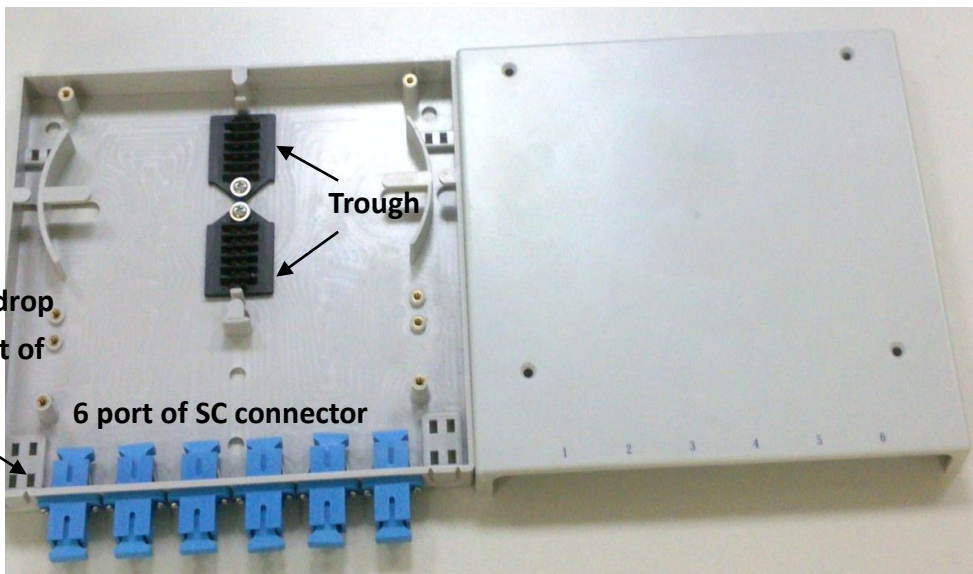
Trough

Can be equipped one DSC optical connector

Fixed port for drop in and drop out of optical cable

WIM-OCDB-A Bottom layer

B type of OCDB:



Trough

Fixed port for drop in and drop out of optical cable

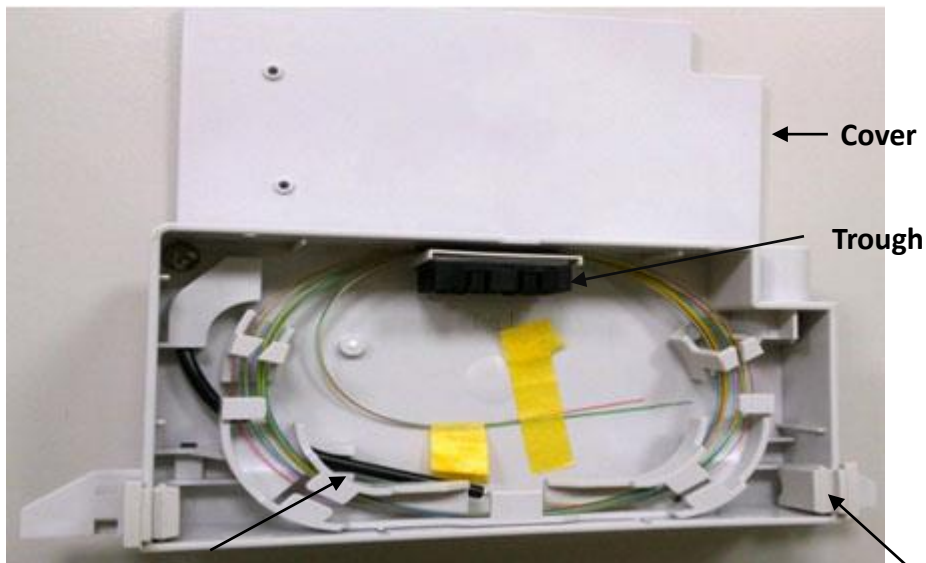
6 port of SC connector

WIM-OCDB-B Bottom layer

WIM-OCDB-B Cover



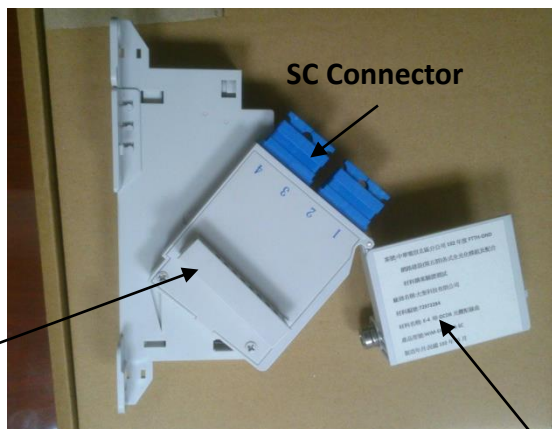
E type of OCDB:



Protection tube for pre-wiring optical cable

WIM-OCDB-E4 front view

Aperture/Hole for input and output of optical cable



Fittings for flat optical cable

SC Connector

Protection cover for module

WIM-OCDB-E4 Rear view

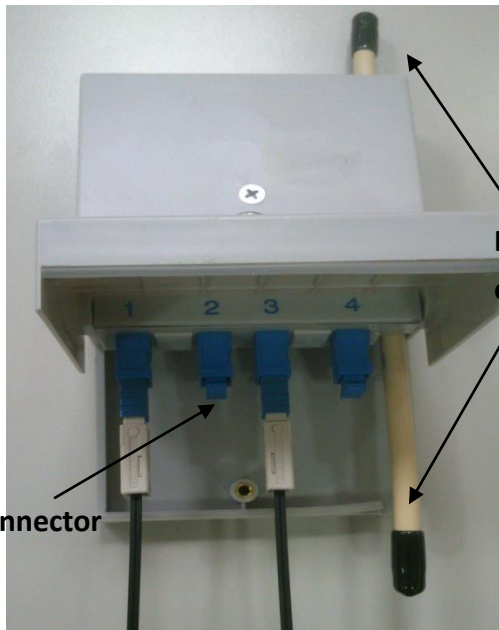


Pre-wiring optical cable

WIM-OCDB-E4 Rear view



F type of OCDB:



SC optical connector

Exterior in/out optical cable



Trough

Fixed part for exterior optical cable

WIM-OCDB-F4 front view

WIM-OCDB-F4 inner view

E. Application

WIM-OCDB-E type is suitable for put to use in thick distribution box, or chief/main box, otherwise WIM-OCDB-F type is suggested to be chosen when the distribution box, or chief/main box is thin as refer to the dimension in the above mentioned specification before use.



WIM-OCDB-E type is installed in indoor distribution panel, chief/ main box or appropriate location for fiber splicing



WIM-OCDB-F type is tied in on site situation, collocate with mounting up and overturned fittings in use